

In addition to the extensive range of gutters illustrated in the preceding pages, Guttermaster produces a vast array of gutters, fascias, soffits, ridges and verges to suit individual construction details.

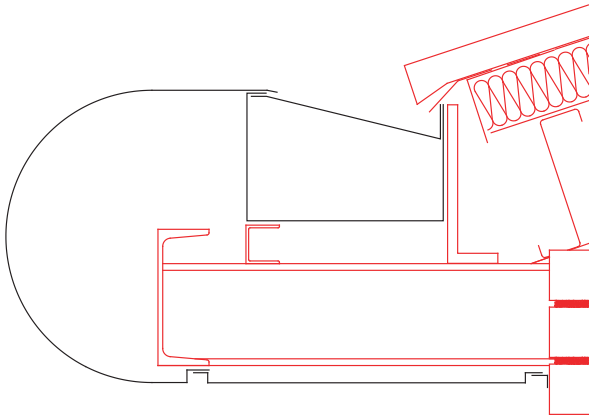
The following are merely a taste of some of the complete roof edge closure products we have provided. Each has been designed to meet the needs of weather protection, visual appearance, installation practicality, long life and economy.

For further details please contact our Technical Sales Department on 01706 869550

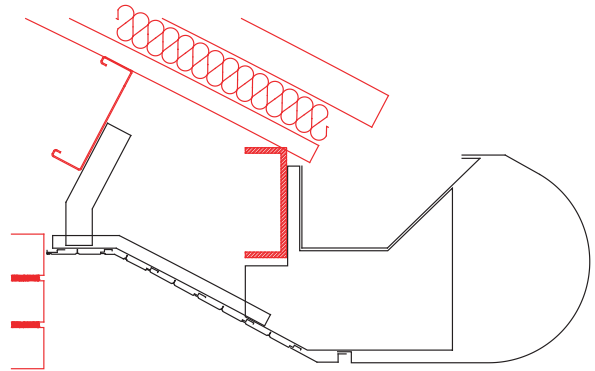
Suitable joint types

Various joint types are available depending on the individual detail. The table below shows general suitability, please contact our Technical Dept. for guidance.

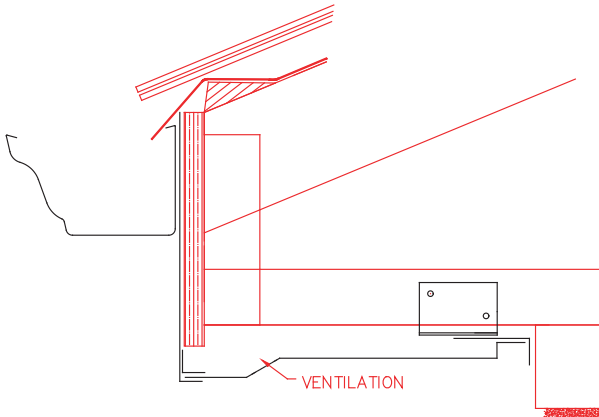
	Semi Sphere	TrimFix	TopHat	AirFlow	Slimline	Ovaline	ColClad	Shadow
NBS1	✓		✓	✓	✓			
LBS2	✓	✓	✓	✓	✓	✓	✓	✓
TBS3	✓					✓	✓	
FBS4	✓					✓	✓	
SBS6	✓					✓		



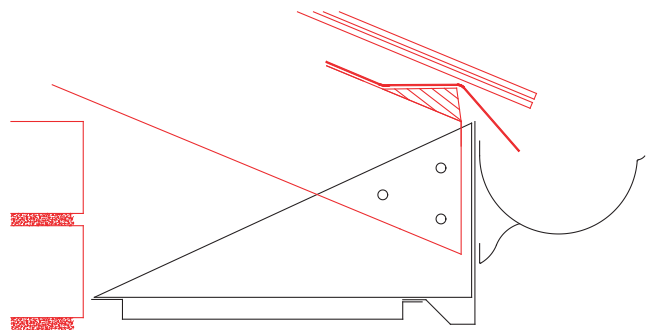
EAVES
Fascia type: Guttermaster *SemiSphere* bullnose fascia
Material: 2.0, 2.5 or 3.0mm aluminium (depending on size/ detail)
Soffit type: Guttermaster *TopHat* soffit panel
Material: 1.5, 2.0 or 3.0mm aluminium (depending on size/ detail)
Gutter: Guttermaster *rectangular box gutter* (see pages 8-9)
Material: 2.0mm aluminium



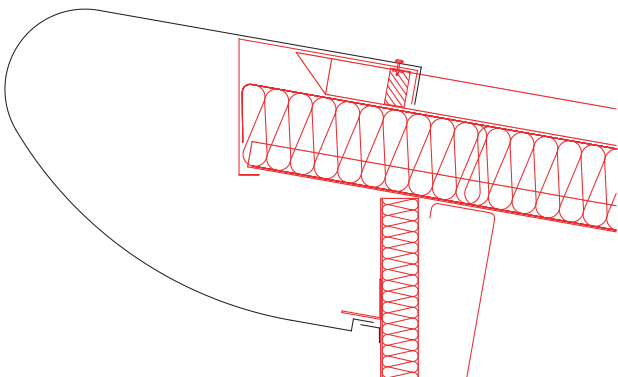
EAVES
Fascia type: Guttermaster *SemiSphere* bullnose fascia
Material: 2.0, 2.5 or 3.0mm aluminium (depending on size/ detail)
Soffit type: Guttermaster *Slimline* extruded planked soffit
Material: 1.5 aluminium
Gutter: Guttermaster *sloping front box gutter* (see pages 8-9)
Material: 3.0mm aluminium



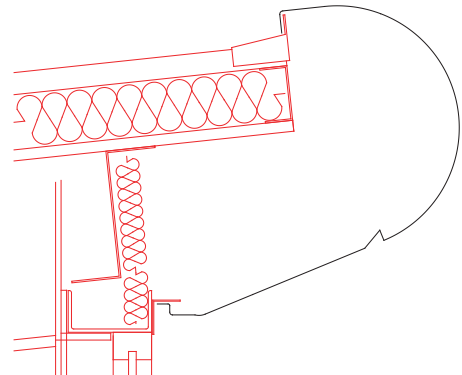
EAVES
Fascia type: Guttermaster *TrimFix* fascia with soffit recess
Material: 0.9, 1.5 or 2.0mm aluminium (depending on size/ detail)
Soffit type: Guttermaster *AirFlow* soffit panel
Material: 1.5, 2.0 or 3.0mm aluminium (depending on size/ detail)
Gutter: Guttermaster *moulded no.46 gutter* (see pages 6-7)
Material: 2.2mm aluminium



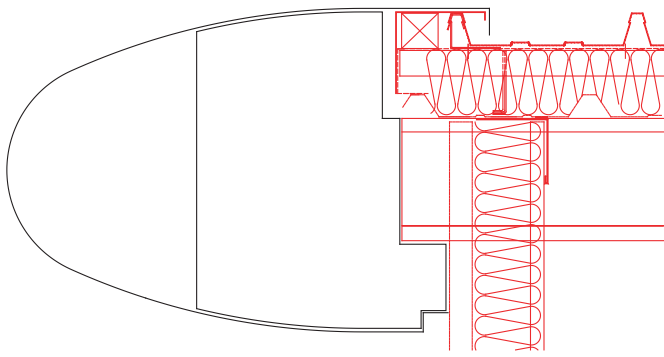
EAVES
Fascia type: Guttermaster *TrimFix* fascia
Material: 0.9, 1.5 or 2.0mm aluminium (depending on size/ detail)
Soffit type: Guttermaster *TopHat* soffit panel
Material: 1.5, 2.0 or 3.0mm aluminium (depending on size/ detail)
Gutter: *Serpentine HR gutter* (see page 10)
Material: 2.0mm aluminium



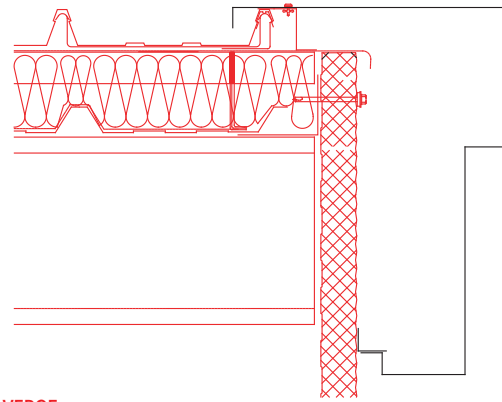
MONO RIDGE
Ridge type: Guttermaster *Ovaline* elliptical mono ridge
Material: 2.0 or 3.0mm aluminium (depending on size/ detail)



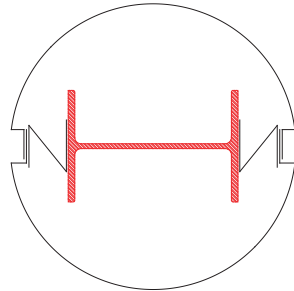
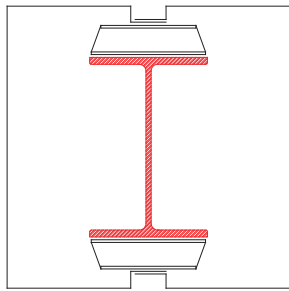
MONO RIDGE
Ridge type: Guttermaster *SemiSphere* bullnose mono ridge with drip
Material: 2.0 or 3.0mm aluminium (depending on size/ detail)



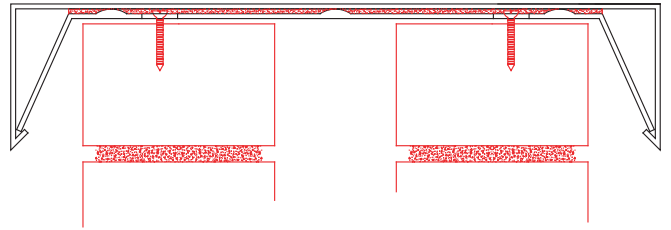
VERGE
Verge type: *Guttermaster Ovaline elliptical verge*
Material: 2.0 or 3.0mm aluminium (depending on size/ detail)



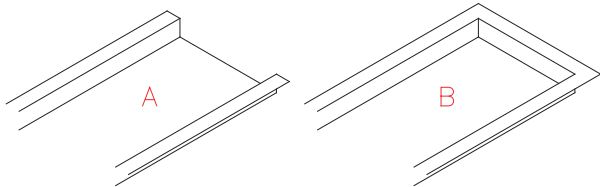
VERGE
Verge type: *Guttermaster Shadow stepped verge*
Material: 1.5, 2.0 or 3.0mm aluminium (depending on size/ detail)



COLUMN CASINGS
Casing type: *Guttermaster ColClad column encasement*
Material: 1.5, 2.0 or 3.0mm aluminium (depending on size)



WALL CAPPING
Capping type: *Guttermaster SnapLok wall capping*
Material: 2.0, 2.5 or 3.0mm aluminium (depending on size/ detail)

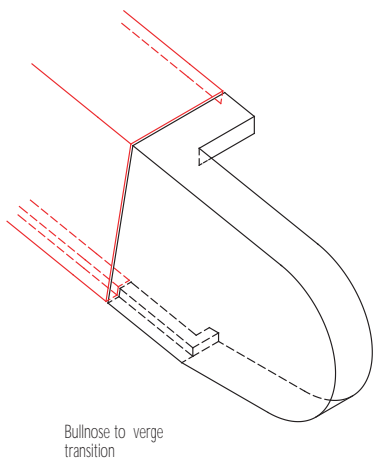


SOFFIT
Soffit type A: *Guttermaster TopHat soffit panel*
Soffit type B: *Guttermaster TopHat Cassette soffit panel*
Material: 1.5, 2.0 or 3.0mm aluminium (depending on size/ detail)

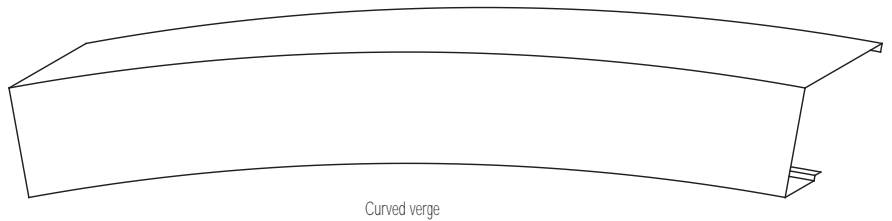


SOFFIT
Soffit type: *Guttermaster Slimline extruded planked soffit*
Material: 1.5mm aluminium

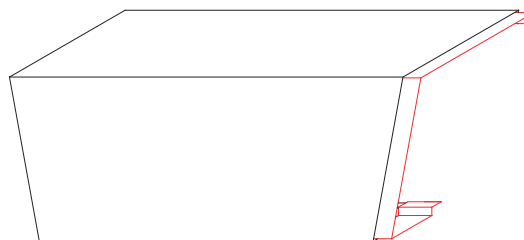
PURPOSE MADE COMPONENTS - PLEASE ENQUIRE.



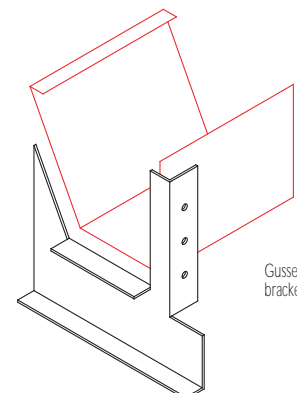
Bullnose to verge transition



Curved verge



Pre-engineered faceted verge panel



Gusset support bracket